



บริษัท ไมตี้ อีเลคทริก (ไทยแลนด์) จำกัด  
MIGHTY ELECTRIC (THAILAND) CO., LTD.

31/1 หมู่ 4 ถนนเอกชัย-บางบอน  
ตำบลคอกกระบือ อำเภอเมืองสมุทรสาคร จังหวัดสมุทรสาคร 74000  
โทร.034-823302, 034823303, 034451500, 034451501 แฟกซ์.034-823305 [www.mighty-electric.com](http://www.mighty-electric.com)



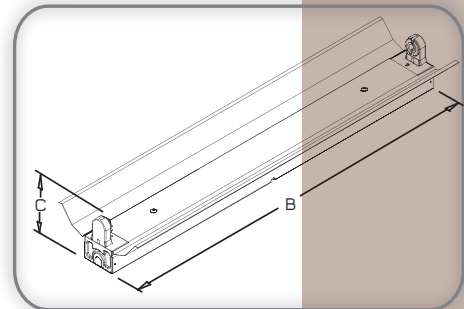
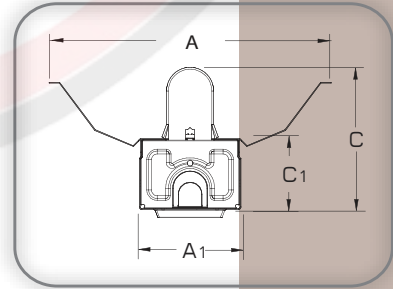
Factory Fitting with Mattal Reflecto

MODEL : MFW120



SPECIFICATION

- Housing :** Steel sheet thickness of 0.5-0.8 mm. And all metal parts are rust-proofed after fabrication to prevent any corrosion (zine phosphate) and finished with high-grade epoxy polyester powder coating.
- Reflector :** Double side aluminium reflector 99.90% purity anodized aluminium reflector to provide total reflectance of TR 87%-95% mirror-finish, parabolic reflectors machined to provide optimum optical performance for maximum high-output-ratio.
- Lamp holder :** Rotary lock (G13) lamp holder certified by TIS NO.344-2549.
- Starter holder :** Rotary lock certified by TIS NO.344-2549.
- Wire :** Thw size 1.0 sqmm. 70 °c-105 °c certified by TIS NO.11-2553.



TIS.902-2(1)-2557



TIS.1955-2551



ISO 9001



ISO 14001

DESCRIPTION

MODEL	POWER	DIMENSION (mm.)						Note : Subject +/- 2 mm. Hanging Hold (mm.)
		A	B	C	A1	C1		
MFW120	1 x 18w. T8	140	613	95	53	40		